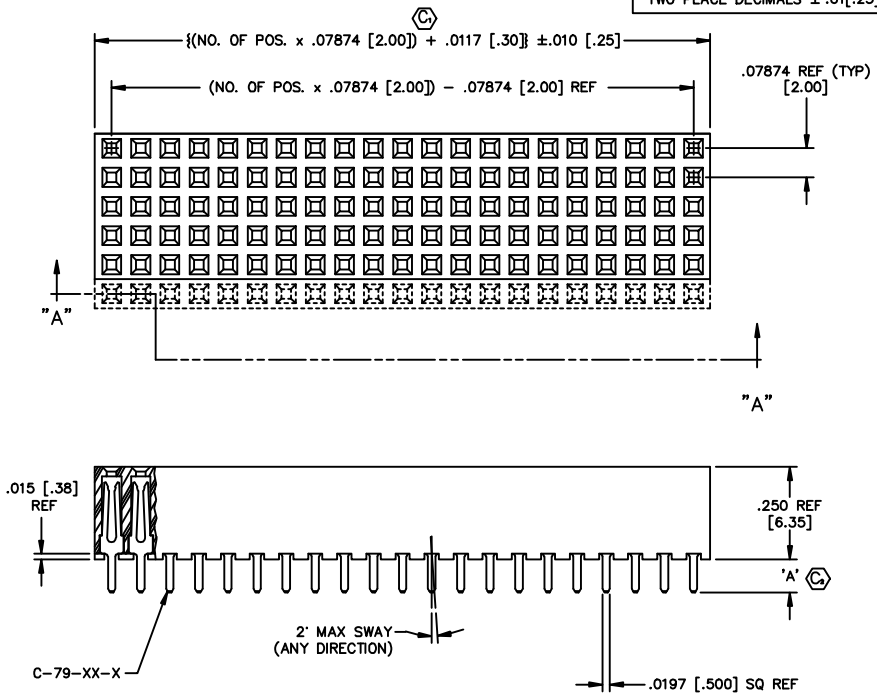


DIMENSIONS ARE IN INCHES UNLESS OTHERWISE NOTED		TOLERANCES ARE:	
ONE PLACE DECIMALS ± .1[2.5]	THREE PLACE DECIMALS ± .005[.127]	ANGLES	± 2°
TWO PLACE DECIMALS ± .01[.25]	FOUR PLACE DECIMALS ± .0020[.051]		

TITLE:  
2MM SOCKET  
STRIP ASSEMBLY

DWG NO:  
SQT-1XX-XX-X-X-XXX-XX  
SHEET 1 OF 2



SQT-1XX-XX-X-X-XXX-XX

**POSITION SPECIFICATION**  
-02 THRU -50 (PER ROW)

**LEAD STYLE SPEC**  
SEE TABLE 1

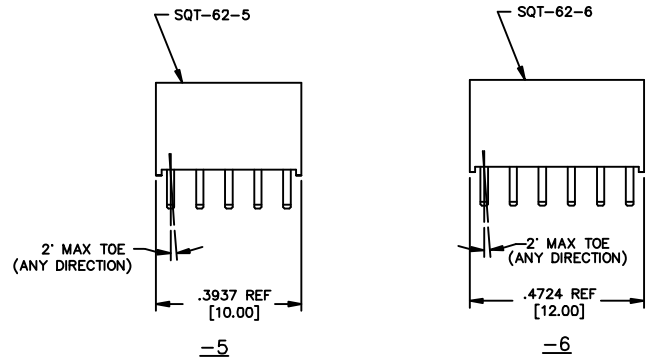
**PLATING SPECIFICATION**  
-F: FLASH SELECTIVE GOLD  
-L: LIGHT SELECTIVE GOLD  
-G: GOLD  
-S: SELECTIVE GOLD  
-H: HEAVY GOLD

**OPTION**  
\*\* -MW: METAL WASHER (SEE FIG. 3) (AVAILABLE ON LEAD STYLES -01 & -03 ONLY) (SHT. 2)

**POLARIZATION OPTION**  
-XXX INDICATES POSITION- SEE FIG. 2 (USE PK-07-N)

**ROW SPECIFICATION**  
-5: FIVE ROW (USE SQT-62-5)  
-6: SIX ROW (USE SQT-62-6)

\*\* -MW OPTION, DO NOT DESIGN IN. SAMTEC WILL ONLY SUPPORT EXISTING BUSINESS 2/06/02.



- NOTE:
1. MINIMUM CONTACT RETENTION: .5 lb PER PIN.
  2. CUT FLASH TO BE .020 [.50] MAX.
  3. TOE TO BE 2' MAX.
  4. HEIGHT VARIANCE, PIN TO PIN: .005 [.13] MAX.
  5. Ⓢ REPRESENTS A CRITICAL DIMENSION.
  6. STOCK 62 POSITION ASSEMBLY, -01 LEAD STYLE ONLY. TO BE CUT TO POSITION FOR CUSTOMER.

FIG. 1

TABLE 1

LEAD STYLE	'A'	CONTACT
-01	.090 [2.29]	C-79-01-X
-02	.600 [15.24]	C-79-02-X
-03	.208 [5.28]	C-79-53-X

DO NOT SCALE FROM THIS PRINT



FIG. 2  
POLARIZATION OPTION LOCATION  
INSERT PK-07 INTO SPECIFIED POSITION AND BREAK OFF TAB

**PROPRIETARY NOTE**  
THIS DOCUMENT CONTAINS INFORMATION CONFIDENTIAL AND PROPRIETARY TO SAMTEC INC. AND SHALL NOT BE REPRODUCED OR TRANSMITTED TO OTHER DOCUMENTS OR DISCLOSED TO OTHERS OR USED FOR ANY PURPOSE OTHER THAN THAT FOR WHICH IT WAS OBTAINED WITHOUT THE EXPRESSED WRITTEN CONSENT OF SAMTEC INC.

**MATERIAL:**  
INSULATOR:  
LIQUID CRYSTAL POLYMER  
COLOR: BLACK

**CONTACT:**  
PHOSPHOR BRONZE

**samtec** SQT1XMK11

520 PARK EAST BLVD. NEW ALBANY, INDIANA 47150  
PHONE (812) 944-6733 P.O. BOX 1147  
CODE 55322

MADE BY:  
BRATCHER 7-24-95

SQT-1XX-XX-X-X-XXX-XX  
SHEET 1 OF 2